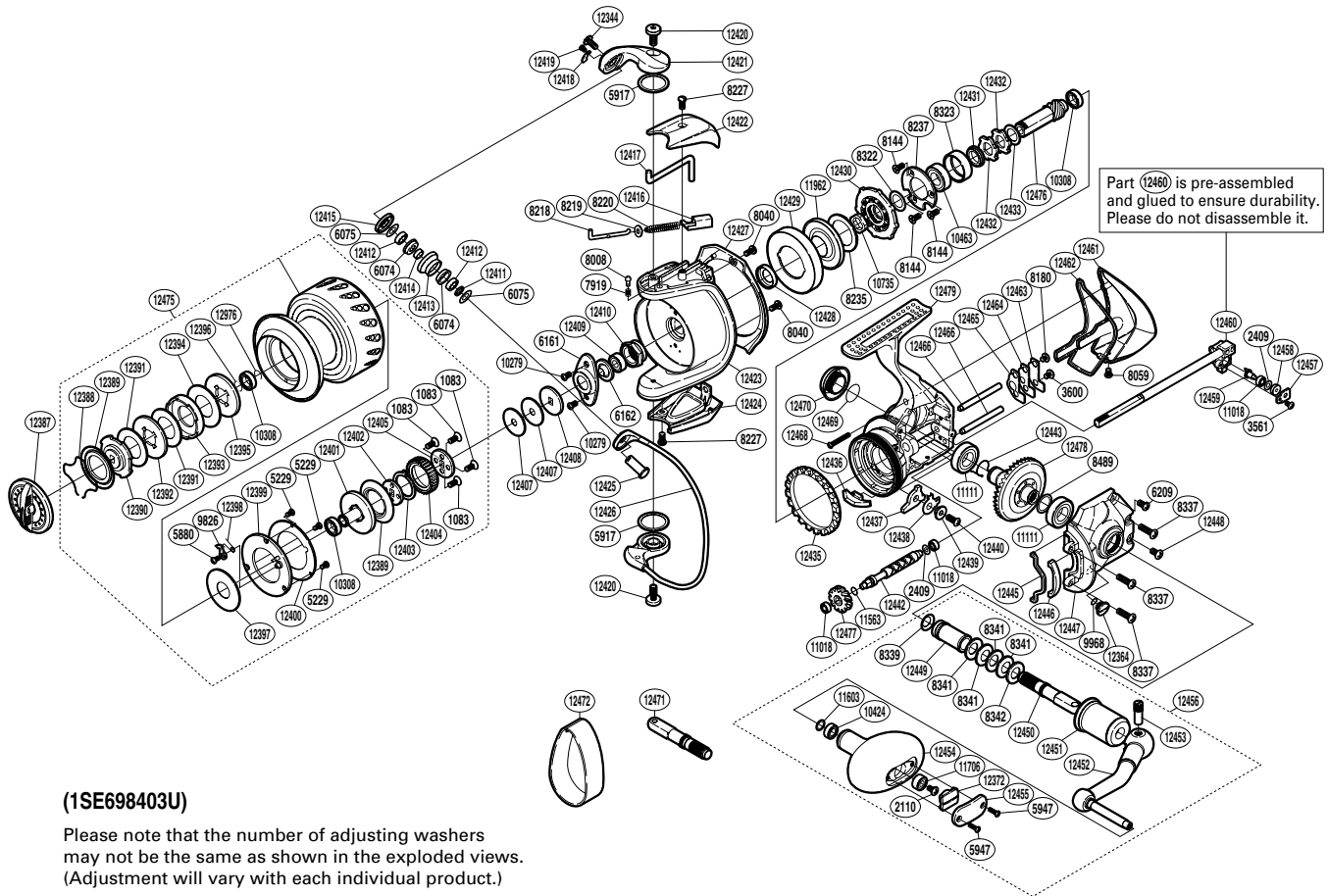


SHIMANO

STELLA SA-RB

STL-8000SWPG



(1SE698403U)

Please note that the number of adjusting washers may not be the same as shown in the exploded views. (Adjustment will vary with each individual product.)

Part No.	Description	Part No.	Description	Part No.	Description
RD 1083	Screw	RD12344	Screw	RD12431	Pinion Gear Collar
RD 2110	Screw	RD12364	Oil Cap	RD12432	Anti-Reverse Ratchet
RD 2409	Washer	RD12372	Handle Knob Seal	RD12433	Washer
RD 3561	Screw	RD12387	Drag Knob	RD12435	Friction Ring
RD 3600	Screw	RD12388	Drag Washers Retainer	RD12436	Bail Trip Strike
RD 5229	Screw	RD12389	Seal Plate	RD12437	Assist Anti-Reverse Pawl
RD 5880	Screw	RD12390	Key Washer	RD12438	Anti-Reverse Pawl Cover
RD 5917	Washer	RD12391	Drag Washer	RD12439	Anti-Reverse Pawl Collar
RD 5947	Screw	RD12392	Eared Washer	RD12440	Screw
RD 6074	Line Roller Bushing	RD12393	Key Washer	RD12442	Worm Shaft
RD 6075	Roller Bearing Seal	RD12394	Drag Washer	RD12443	Anti-Reverse Pawl Spring
RD 6161	Rotor Nut Lock Plate	RD12395	Eared Washer	RD12445	Flange Water Proof
RD 6162	Bearing Water Proof	RD12396	O Ring	RD12446	Friction Ring Spacer
RD 6209	Screw	RD12397	Drag Washer	RD12447	Side Cover
RD 7919	Click Spring	RD12398	Drag Click Spring	RD12448	Screw
RD 8008	Click Pin	RD12399	Spool Pin Cover	RD12449	Handle Shaft Cover A
RD 8040	Screw	RD12400	Spool Pin Cover Plate	RD12450	Handle Shaft (left)
RD 8059	Screw	RD12401	Bearing Bushing	RD12451	Handle Shaft Cover B
RD 8144	Screw	RD12402	Spool Support A	RD12452	Handle Shank Assembly
RD 8180	Screw	RD12403	Ratchet Spring	RD12453	Handle Shaft Screw
RD 8218	Bail Spring Guide A	RD12404	Drag Click Ratchet	RD12454	Handle Knob
RD 8219	Spring Guide A Support	RD12405	Spool Support B	RD12455	Handle Knob I.D. Plate
RD 8220	Bail Spring	RD12407	Spool Washer	RD12456	Handle Assembly
RD 8227	Screw	RD12408	Spool Support C	RD12457	Oscillating Pawl Cover
RD 8235	Roller Clutch Reinforce	RD12409	Ball Bearing	RD12458	Oscillating Slider Bushing
RD 8237	Bearing Retainer	RD12410	Rotor Nut	RD12459	Oscillating Pawl
RD 8322	Washer	RD12411	Line Roller Support Collar	RD12460	Main Shaft Assembly
RD 8323	Bearing Housing	RD12412	Ball Bearing	RD12461	Rear Protector
RD 8337	Screw	RD12413	Line Roller	RD12462	Rear Shield
RD 8339	Handle Shaft Seal	RD12414	Bearing Spacer	RD12463	Worm Shaft Retainer
RD 8341	Coned Disc Spring	RD12415	Line Roller Plate	RD12464	Worm Shaft Retainer Spacer
RD 8342	Small Handle Shank Washer	RD12416	Bail Spring Seat	RD12465	Worm Shaft Retainer Washer
RD 8489	Washer	RD12417	Bail Trip Lever	RD12466	Oscillating Guide
RD 9826	Drag Click	RD12418	Screw Retainer	RD12468	Screw
RD 9968	O Ring	RD12419	Screw Support	RD12469	O Ring
RD10279	Screw	RD12420	Screw	RD12470	Handle Shaft (right) (accessory)
RD10308	Ball Bearing	RD12421	Bail Arm	RD12475	Spool Assembly
RD10424	Ball Bearing	RD12422	Bail Spring Cover	RD12476	Pinion Gear
RD10463	Ball Bearing	RD12423	Rotor	RD12477	Idle Gear
RD10735	Stopper	RD12424	Bail Hold Support Guard	RD12478	Drive Gear
RD11018	Ball Bearing	RD12425	Line Roller Support	RD12479	Body
RD11111	Ball Bearing	RD12426	Bail Assembly	RD12976	Bearing Retainer
RD11563	Worm Shaft Ring	RD12427	Rotor Guard		
RD11603	Washer	RD12428	Rotor Ring		
RD11706	Ball Bearing	RD12429	Roller Clutch Cover	RD12471	Handle Shaft (right) (accessory)
RD11962	Roller Clutch Water Proof	RD12430	Roller Clutch Assembly	RD12472	Line Band (accessory)